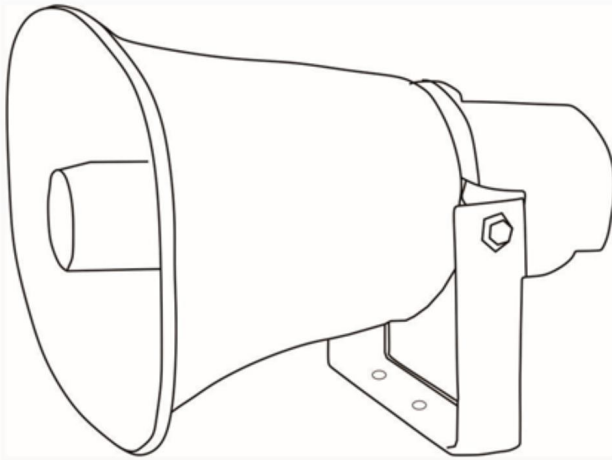




Horn Speaker Quick Installation Guide



1. Summary

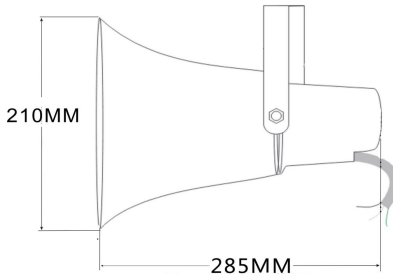
(1) NAC-2503 is a kind of high-power, waterproof and corrosion proof plastic horn speaker with large diameter. It is of excellent voice quality and efficient sound transmission, long-distance sound transmission. It is applicable to the stadium, swimming pools, exhibition, industrial square, etc occasions for 24-hours outdoor using.

(2) NAC-2503 can be connected to the 100V line output. The 100V transformer is a jumper connector for the primary winding and it can be used for different power settings. Users can easily obtain two power options.

2. Specifications, Functional Parts, and Parameters

Electricity	Speaker unit	Waterproof oriented speaker
	MAX power	40W
	Rated power (PHC)	30W
	Sensitivity (1kHz, 1m)	113dB±2dB
	Effective frequency response (-10dB)	250-8kHz
	Rated voltage	100V
	Input interface	3-core cable
	Wiring terminal color	Brown, yellow green, blue
Finished product	Product size	285(L)×285(W)×210(H)mm
	Production weight	1.8 Kg
	Packing size & weight(1Pcs)	315(L)×258(W)×308(H)mm 2.3 Kg
	Packing size & weight(4Pcs)	730(L)×380(W)×305(H)mm 11.5 Kg
	Installation method	Screw mounted base
Material	Horn speaker	White plastic
	Bracket	White steel paint
Working environment	Working temperature	-25℃ to +55℃
	Storage Humidity	-40℃ to +70℃
	Relative humidity	< 95%

3. Appearance Dimensions



4. Schematic Circuit Diagram



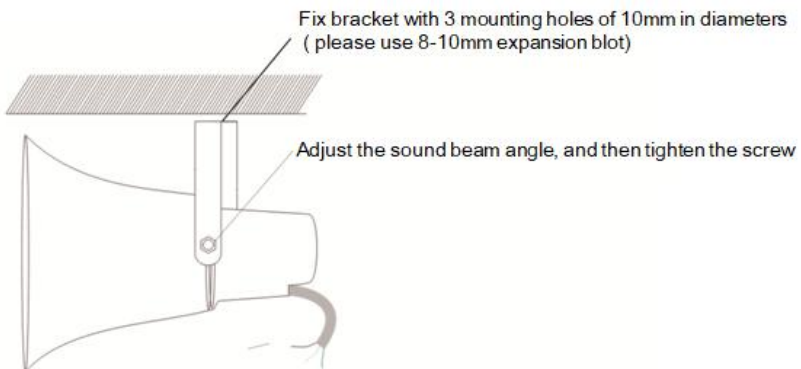
Wiring description:

Amplifier output COM connect with the yellow green line during wiring, and the 100V amplifier output need connect with the corresponding line.

30W rated power: amplifier COM connect with yellow green line , and 100V amplifier output need connect with brown line.

15W rated power: amplifier COM connect with yellow green line , and 100V amplifier need connect with blue line.

5. Installation Diagram



6. Fault Maintenance

Fault Phenomenon	Fault reason & exclude
Sound small , even no sound	Check if the wiring of the horn speaker is correct, tight and no shorting. With the power selection, please confirm if the power switch has been adjusted to the right position (in addition, wiring should be left with some certain margin to avoid the horn internal siring damage.
Quality is not good and there is noise.	Check if the input signal source of amplifier and input transmission joint is correct. In addition, the horn speaker should be tightly fixed, otherwise, the resonance will be generated which can result in bad sound quality.

7. Packing List

- (1) Quick installation guide 1PCS
- (2) NAC-2503 Horn Speaker 1PCS
- (3) Warranty card and certificate 1PCS



Wechat

SPON Communication Technology Co., Ltd.
www.spon.com.cn
Service Hotline: +86-400-823-2588
Reserve the amendment right without notice



VI. 0B190221